

# 546

## Outdoor Lighting



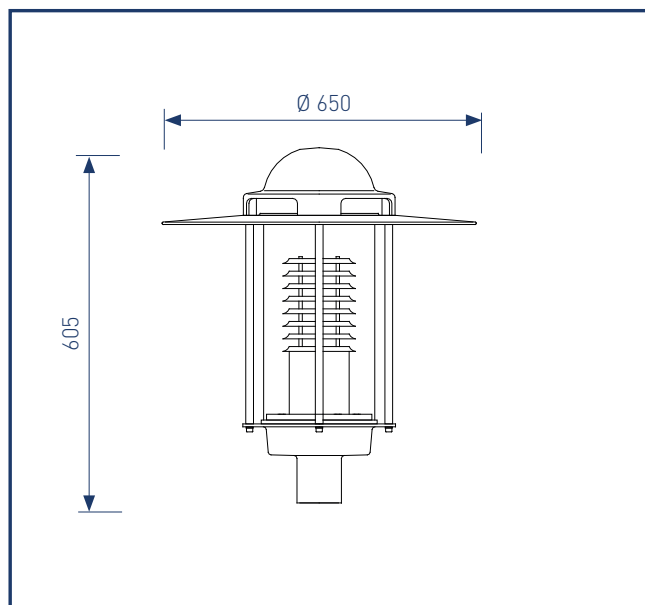
### Your product advantages

- ✓ **Efficient:** Use
- ✓ **Flexible:** Different applications thanks to diffusing or clear glass
- ✓ **Reliable:** Lifetime of the LED driver and LED modules at 85.000 h

### Application areas

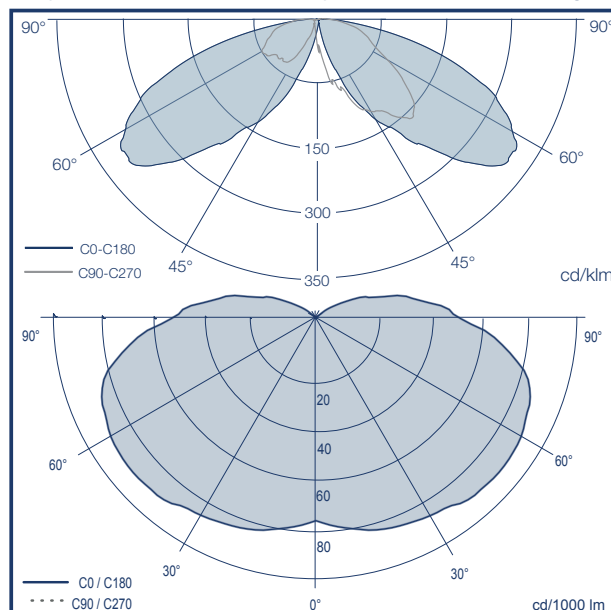
Roads in residential areas, squares, paths

### Dimensions (mm)



### Light distribution

#### (Asymmetric wide beam / Symmetric and diffusing)



546

Street optic

Symmetric diffusing

Lighting fixtures body		
Material	Aluminium (shade) / Die cast aluminium (dome)	
Colour (powder coating)	RAL or DB	
Mounting type	Fixation by conical system (c-t 1/2")	
Orientation possibilities	—	
Dimension (height x diameter)	605 x Ø 650 mm	
Weight	app. 12.1 kg	
Exposed wind surface	0.15 m <sup>2</sup>	
IP Protection class	IP 65	
Glass type	PMMA (transparent)	PMMA (opal)
Shock resistance	IK 08	
Photometric properties		
Light source	LED modules with High-Power LEDs	
Optical system	Asymmetric wide beam / Rotosymmetric	Symmetric and diffusing beam
Rated luminous flux	1,100 – 2,800 lm	900 – 3,200 lm
Light efficiency	110 lm/W	90 lm/W
Colour temperature	3,000 / 4,300 K	3,000 / 4,000 K
Colour rendering index (Ra)	> 70	
Dimming (power control)	Power line control / Digital	
Rated lifetime at (ta) 30°C	85,000 h at L70	
Temperature management	✓	
Constant Light Output (CLO)	✓	
Electrical properties		
Rated power	10 – 24 W	10 – 36 W
Electrical protection class	Class I / II	
Rated voltage	120 – 277 V	
Frequency	50 – 60 Hz	
Surge protection (L-N / L N-ground)	6 / 8 kV	
Installation suggestions		
Application areas	Roads in residential areas	Squares, paths
Light point height	3 – 5 m	
Lighting classes	ME/S	S
Admitted ambient temperature (ta)	-25°C – +35°C	
Other properties		
Certificate	CE	
Connection to circuit breaker (B16)	17 pcs.	
Options		
Additional part Over tension resistant	10 kV	
DALI Interface (not with power line control)	✓	

06/2016\_TDS\_EN\_V0.1

HELLUX International GmbH

Mergenthalerstraße 6  
30880 Laatzen, Germany

Phone +49 (0)511 820 10-0  
Fax +49 (0)511 820 10-102

info@hellux.de  
www.hellux.de

©HELLUX International GmbH. Data may vary due to actual version. Subject to technical changes. All statements without guarantee.



A COMPANY OF WÜNSCHE GROUP