

# PILZ 401-5

## Outdoor Lighting



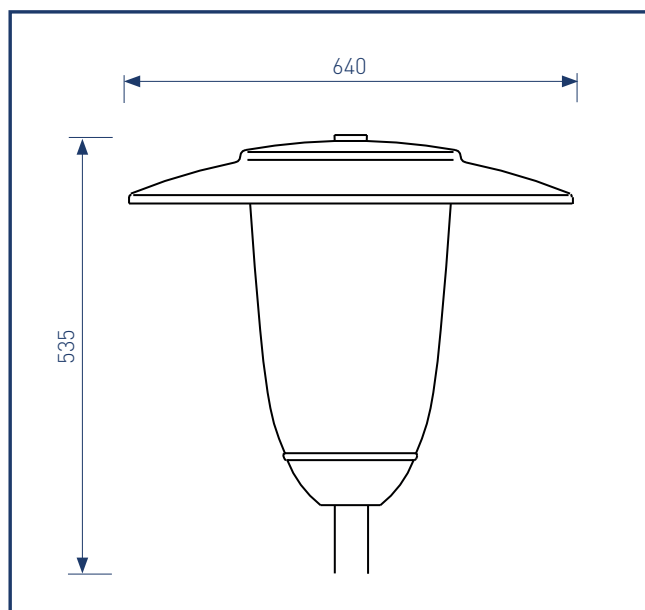
### Your product advantages

- ✓ **Economic:** Retrofit of the reliable lighting fixtures to latest LED technology
- ✓ **Maintenance friendly:** Tool less opening to the top
- ✓ **Flexible:** Different applications thanks to diffusing or clear glass

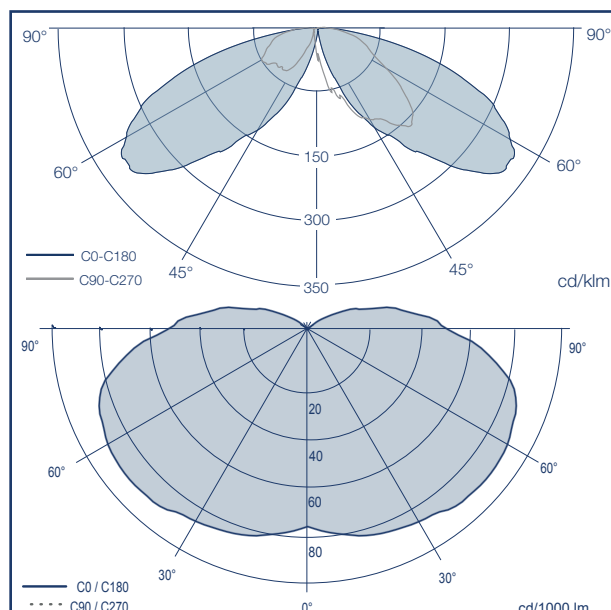
### Application areas

Roads in residential areas, public places, paths

### Dimensions (mm)



### Light distribution (asymmetric wide beam / symmetric and diffusing)



**PILZ 401-5**

**street optic**

**symmetric / diffusing**

<b>Lighting fixtures body</b>		
Material	Die cast aluminium (mounting piece) / Aluminium (shade)	
Colour (powder coating)	RAL or DB	
Mounting type	Post top mounting	
Orientation possibilities	—	
Dimension (height x diameter)	535 / Ø 640 mm	
Weight	8 kg	
Exposed wind surface	0,14 m <sup>2</sup>	
IP Protection class	IP 54	
Glass type	PMMA (transparent)	PMMA (diffuse)
Shock resistance	IK 08	
<b>Photometric properties</b>		
Light source	LED-Modules with High-Power-LEDs	
Optical system	Asymmetric wide beam or rotational symmetric	Symmetric and diffusing beam
Rated luminous flux	1,100 – 2,800 lm	900 – 3,200 lm
Light efficiency	110 lm/W	90 lm/W
Colour temperature	3,000 / 4,300 K	3,000 / 4,000 K
Colour rendering index (Ra)	> 70	
Dimming (power control)	Power line control /digital	
Rated lifetime at (ta) 30°C	85,000 h at L80/B10	
Temperature management	✓	
Constant Light Output (CLO)	✓	
<b>Electrical properties</b>		
Rated power	10 – 26 W	10 – 36 W
Electrical protection class	Class I / II	
Rated voltage	120 – 277 V	
Frequence	50 – 60 Hz	
Surge protection (L-N / L N-ground)	6 / 8 kV	
<b>Installation suggestions</b>		
Application areas	Roads in residential areas	Public places, paths
Light point height	3 – 5 m	
Lighting classes	ME/S	S
Admitted ambient temperature (ta)	-25°C – +35°C	
<b>Other properties</b>		
Certificate	CE	
Connection to circuit breaker (B16)	17 pcs.	
<b>Options</b>		
Reduction part to Ø 60 mm	✓	